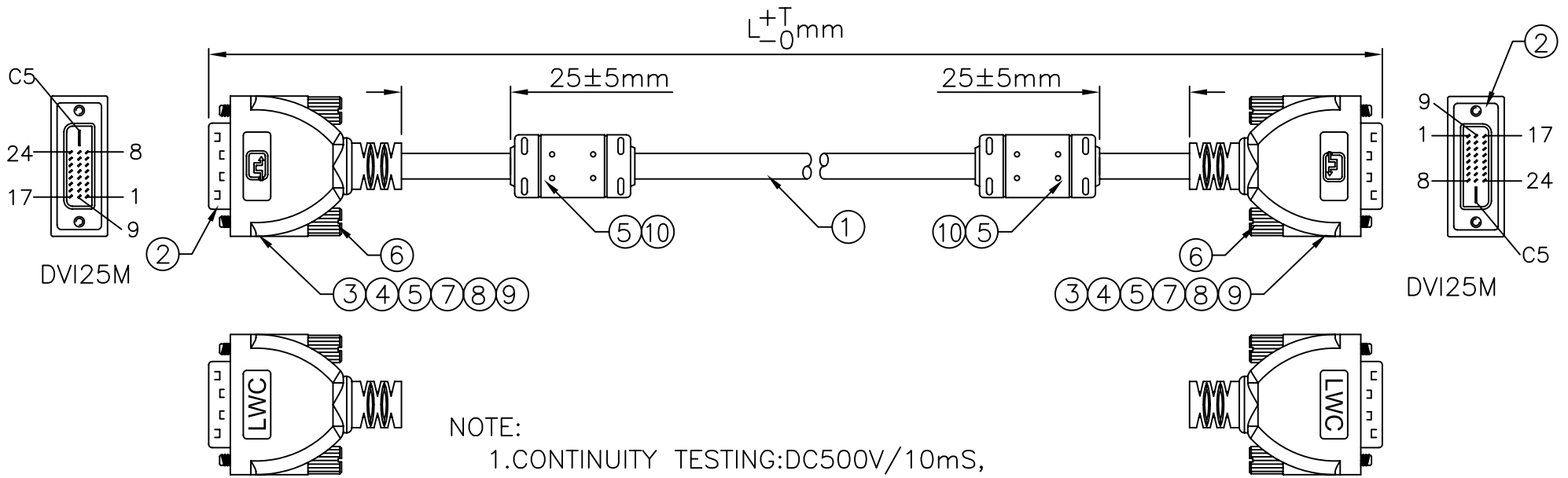


|     |             |          |
|-----|-------------|----------|
| REV | DESCRIPTION | DATE     |
| A   | ISSUE       | 05/28/04 |



NOTE:

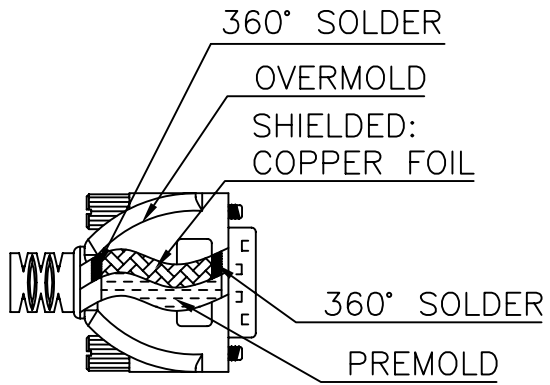
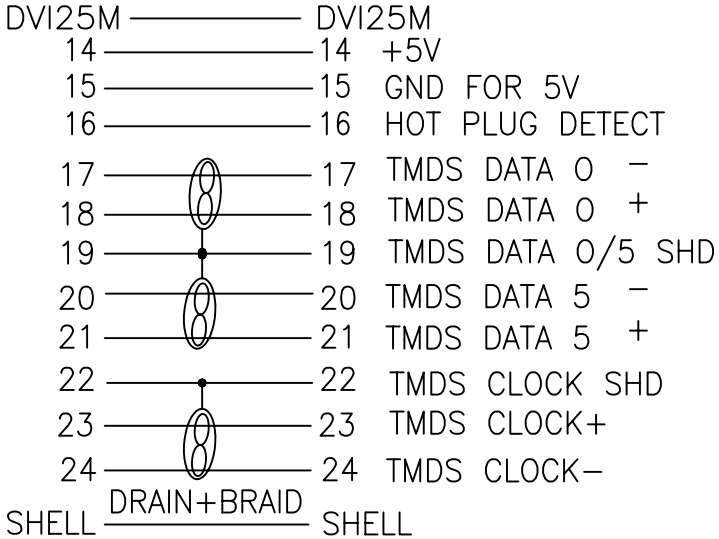
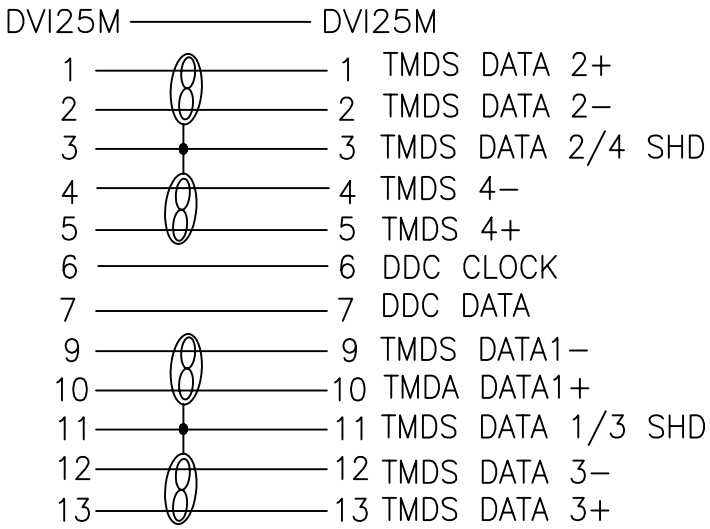
- 1.CONTINUITY TESTING:DC500V/10mS,  
INSULATION RESISTANCE:100MΩ(MIN.).  
CONDUCTIVE RESISTANCE:3.0Ω(MAX)(L=10M).  
6.0Ω(MAX)(L>10M).
- 2.TOOLING FOR DVI25M:SM2-DVIM-C01.  
TOOLING FOR FERRITE CORE:SMF-2241-K01.

|               |       |       |
|---------------|-------|-------|
| Z400DVI-D/D15 | 15000 | 75    |
| Z400DVI-D/D12 | 12000 | 75    |
| Z400DVI-D/D10 | 10000 | 75    |
| P/N.          | L(mm) | T(mm) |

|  |              |                             |        |
|--|--------------|-----------------------------|--------|
| <b>Liberty Wire and Cable</b>  |              |                             |        |
|  | UNIT: mm     | TITLE                       |        |
| SCALE  | NONE         | DVI 25M/DVI 25M CABLE ASS'Y |        |
| UNLESS OTHERWISE SPECIFIED TOLERANCES:<br>x ±x xx ±xx<br>xxx ±.xxx ANGLE ± |              | P/N:<br>Z400DVI-D/DLxx      | DR. DK |
| REV.<br>P1   | SHEET<br>1/2 | DWG.NO:                     | CH. RP |
|  |              |                             | AP. RP |

| REV | DESCRIPTION | DATE     |
|-----|-------------|----------|
| A   | ISSUE       | 05/28/04 |

PIN OUT



DVI25M SHIELDED FIG.

| <i>Liberty Wire and Cable</i>   |              |                             |                  |
|---|--------------|-----------------------------|------------------|
|   | UNIT: mm     | TITLE                       |                  |
| SCALE   | NONE         | DVI 25M/DVI 25M CABLE ASS'Y |                  |
| UNLESS OTHERWISE SPECIFIED TOLERANCES:<br>x ±x xx ±xx<br>xxx ±xxx ANGLE ± |              | P/N:<br>Z400DVI-D/DLxx      | DR. DK<br>CH. RP |
| REV.<br>P1  | SHEET<br>2/2 | DWG.NO:                     | AP. RP           |